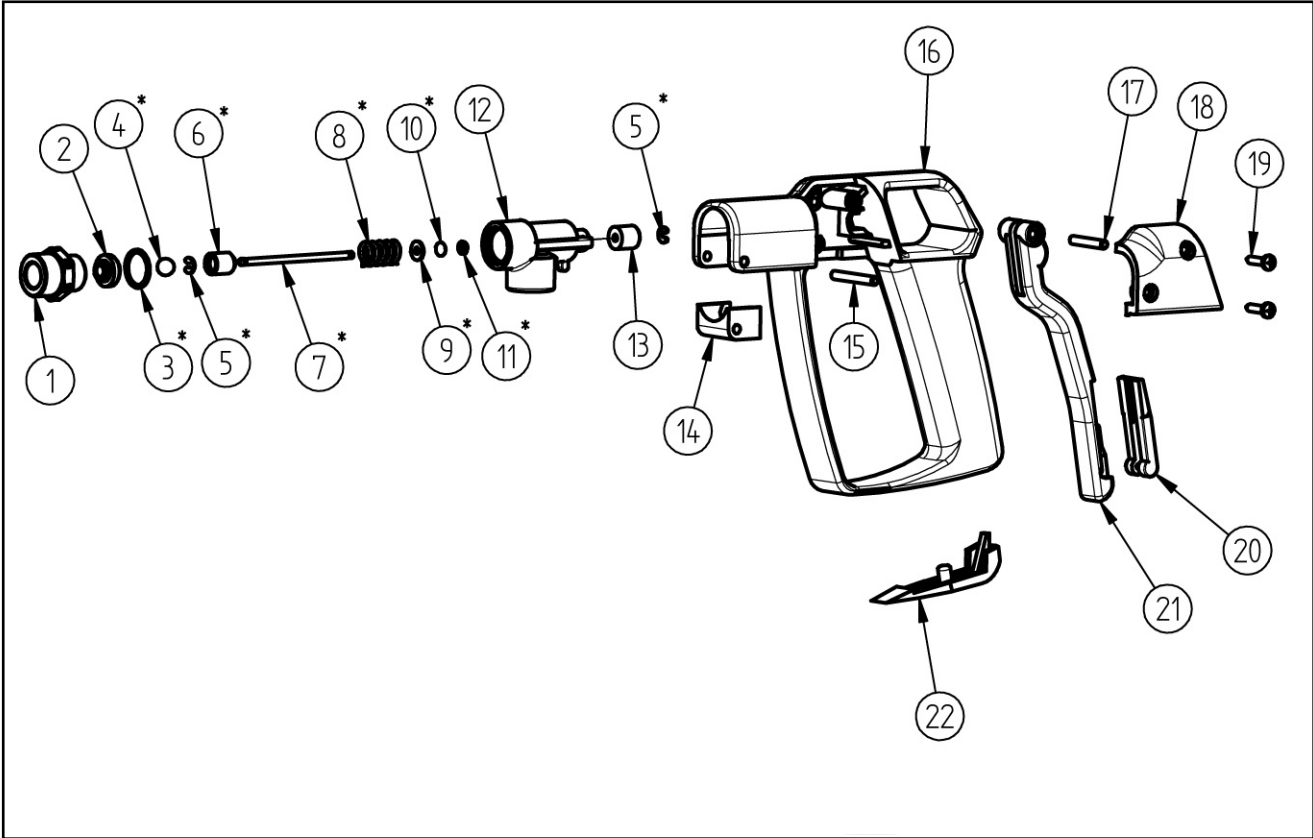


Spare Parts
Spray Gun ST - 810 P.O.M. 3/8 FNPT
Item-No. 200810511



| Pos. | Item-No. | Description |
|------|-------------|------------------------|
| 1 | 10 0000 091 | Outlet nut |
| 2 | 02 0000 310 | Sealing seat ST-810 |
| 3 | 05 0000 040 | O-Ring 14,1x16 |
| 4 | 04 0000 330 | ball |
| 5 | 06 0000 195 | Lock ring |
| 6 | 04 0000 675 | Ball holder |
| 7 | 04 0000 490 | Piston rod ST-810 |
| 8 | 06 0000 560 | Pressure spring |
| 9 | 01 0000 761 | Washer |
| 10 | 05 0000 260 | O-Ring |
| 11 | 05 0000 640 | Back ring |
| 12 | 01 0000 136 | Housing ST-810 |
| 13 | 02 0001 790 | Washer, plastic |
| 14 | 02 0001 880 | Housing cap |
| 15 | 01 0001 260 | Pin 4x32 |
| 16 | 02 0001 755 | Plastic housing ST-810 |

| Pos. | Item-No. | Description |
|------|-------------|----------------------|
| 17 | 01 0001 245 | Pin 4x25 |
| 18 | 02 0001 760 | Cover ST-810 |
| 19 | 04 0000 050 | Screw |
| 20 | 02 0001 810 | Lock |
| 21 | 02 0001 800 | Trigger ST-810 |
| 22 | 02 0001 770 | Housing cover ST-810 |